



性能参数

Performance parameter

PB042

PB060

PB090

PB115

PB142

PB180

			L1 单节 One Stage						L2 双节 Two Stage									
速比 Speed	t	i	4	5	6	7	8	10	20	25	30	35	40	50	60	70	80	100
额定输出力矩 Rated output torque	T ₁	Nm	19	22	20	19	17	14	19	22	20	19	17	22	20	19	17	14
急停扭矩 Emergency Stop Torque	T ₂	Nm	X3						X3									
额定输入转速 Rated Input Speed	S ₁	rpm	5000						5000									
最大输入转速 Maximum Input Speed	S ₂	rpm	10000						10000									
最大输出力矩 Maximum Output Torque	T ₄	Nm	T ₁ * X3 * 60%						T ₁ * X3 * 60%									
最大径向力 Maximum Radial Force	F _a	N	780						780									
最大轴向力 Maximum Axial Force	R	N	350						350									
扭转刚性 Torsional Rigidity	-	Nm/ arcmin	3						3									
效率 Effectivraiss	B	%	>97						>94									
寿命 Life		h	20000						20000									
反馈噪音 Feedback Noise		dB	<56						<56									
重量 Weight		Kg	0.5						0.8									
回程间隙 Backlash	P ₀	arcmin	≤ 1						≤ 3									
	P ₁		≤ 3						≤ 5									
	P ₂		≤ 5						≤ 7									
使用温度 Operating Temperature		°C	-10°C-90°C						-10°C-90°C									
润滑 Lubricating			合成油脂 Synthetic Grease						合成油脂 Synthetic Grease									
防护等级 Protection Level			IP65						IP65									
传动惯量 Transmission Inatia	J	kg.cm ²	0.03						0.03									
安装方向 Installation Direction			任意方向 Any Direction						任意方向 Any Direction									

备注:

变速比(i=S_{in}/S_{out})

结果输出转速100rpm时, 作用于输出轴中心。

连续运转寿命10000h。

噪音值基于输入转速3000rpm, i=10所得。

Remarks:

Speed ratio (i=S_{in}/S_{out})

When the output speed is 100 rpm, it acts on the center of the output shaft.

For continuous operation, the service life is no less than 10,000 hours.

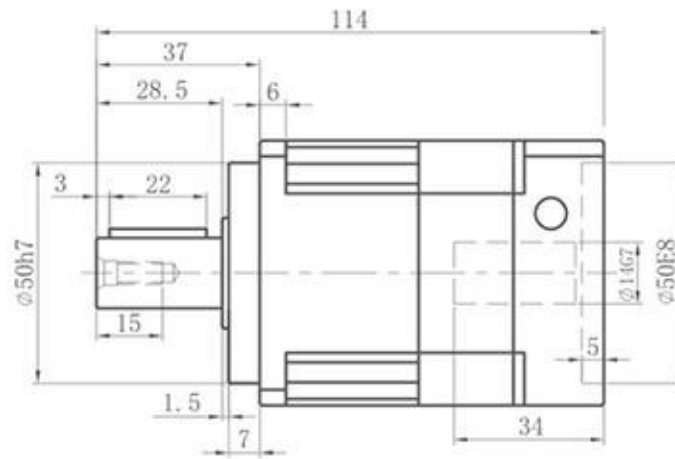
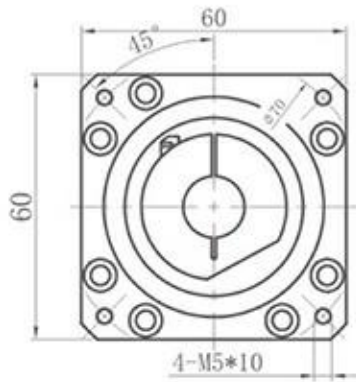
The noise value was measured based on the input rotational speed of 3000 rpm, i=10.

此样本中的所有产品型号及参数如有变更恕不另行通告, 订货前请与本司确认。

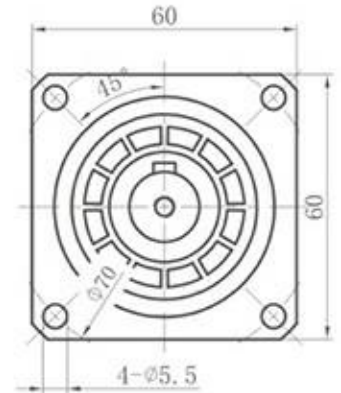
Any product models and parameters in this sample are subject to change without prior notice. Please confirm with the company before ordering.

PB060-L1

输入端 (Input)

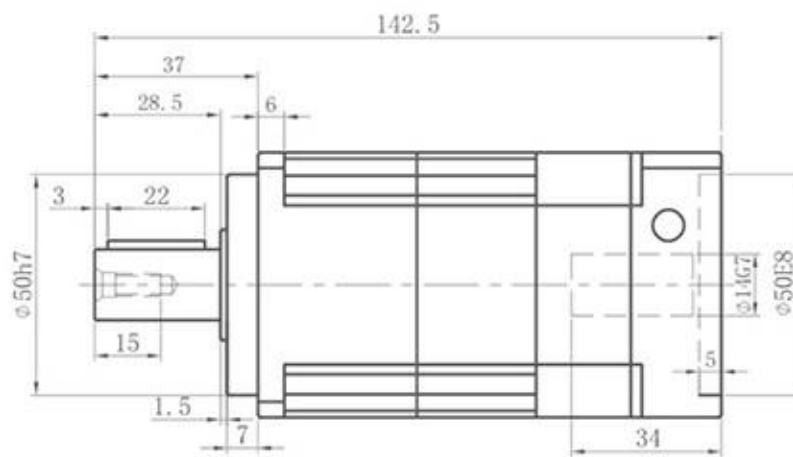
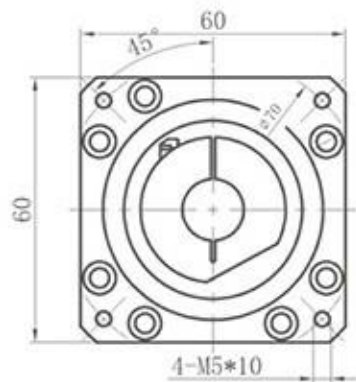


输出端 (Output)

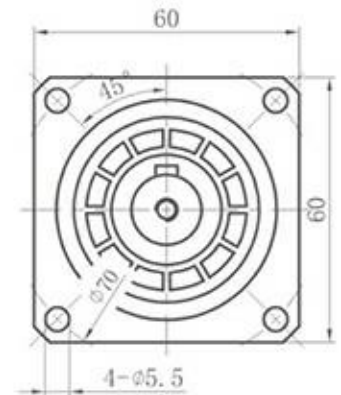


PB060-L2

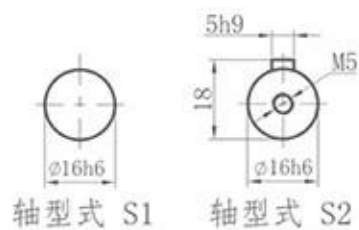
输入端 (Input)



输出端 (Output)



输出轴径
Output Diameter



PB042

PB060

PB090

PB115

PB142

PB180

			L1 单节 One Stage							L2 双节 Two Stage										
速比 Speed	t	i	3	4	5	6	7	8	10	15	20	25	30	35	40	50	60	70	80	100
额定输出力矩 Rated output torque	T ₁	Nm	55	50	60	55	50	45	40	55	50	60	60	60	60	60	55	50	45	40
急停扭矩 Emergency Stop Torque	T ₂	Nm	X3							X3										
额定输入转速 Rated Input Speed	S ₁	rpm	5000							5000										
最大输入转速 Maximum Input Speed	S ₂	rpm	10000							10000										
最大输出力矩 Maximum Output Torque	T ₄	Nm	T ₁ * X3 * 60%							T ₁ * X3 * 60%										
最大径向力 Maximum Radial Force	F _a	N	1570							1570										
最大轴向力 Maximum Axial Force	R	N	765							765										
扭转刚性 Torsional Rigidity	-	Nm/ arcmin	7							7										
效率 Effectivraiss	B	%	>97							>94										
寿命 Life		h	20000							20000										
反馈噪音 Feedback Noise		dB	<58							<58										
重量 Weight		Kg	1.3							1.9										
回程间隙 Backlash	P ₀	arcmin	≤ 1							≤ 3										
	P ₁		≤ 3							≤ 5										
	P ₂		≤ 5							≤ 7										
使用温度 Operating Temperature		°C	-10°C-90°C							-10°C-90°C										
润滑 Lubricating			合成油脂 Synthetic Grease							合成油脂 Synthetic Grease										
防护等级 Protection Level			IP65							IP65										
传动惯量 Transmission Inatia	J	kg.cm ²	0.23	0.18	0.14					0.13										
安装方向 Installation Direction			任意方向 Any Direction							任意方向 Any Direction										

备注:

变速比($i=S_{in}/S_{out}$)

结果输出转速100rpm时, 作用于输出轴中心。

连续运转寿命10000h。

噪音值基于输入转速3000rpm, $i=10$ 所得。

Remarks:

Speed ratio ($i=S_{in}/S_{out}$)

When the output speed is 100 rpm, it acts on the center of the output shaft.

For continous operation, the service life is no less than 10,000 hours.

The noise value was measured based on the input rotational speed of 3000 rpm, $i=10$.

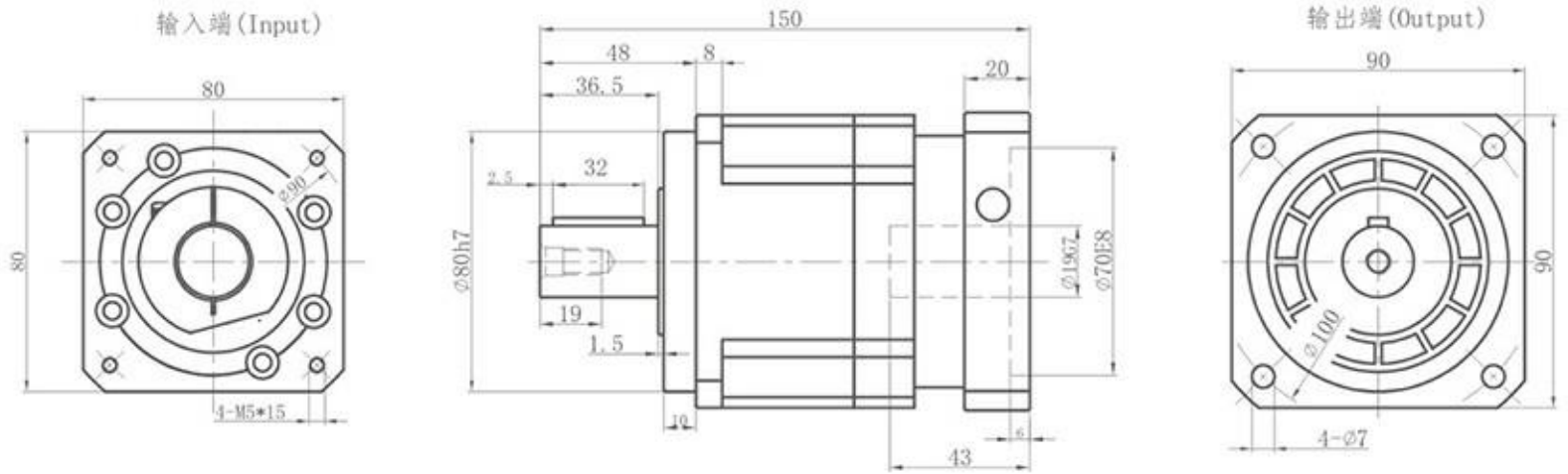
此样本中的所有产品型号及参数如有变更恕不另行通告, 订货前请与本司确认。

Any product models and parameters in this sample are subject to change without prior notice. Please confirm with the company before ordering.

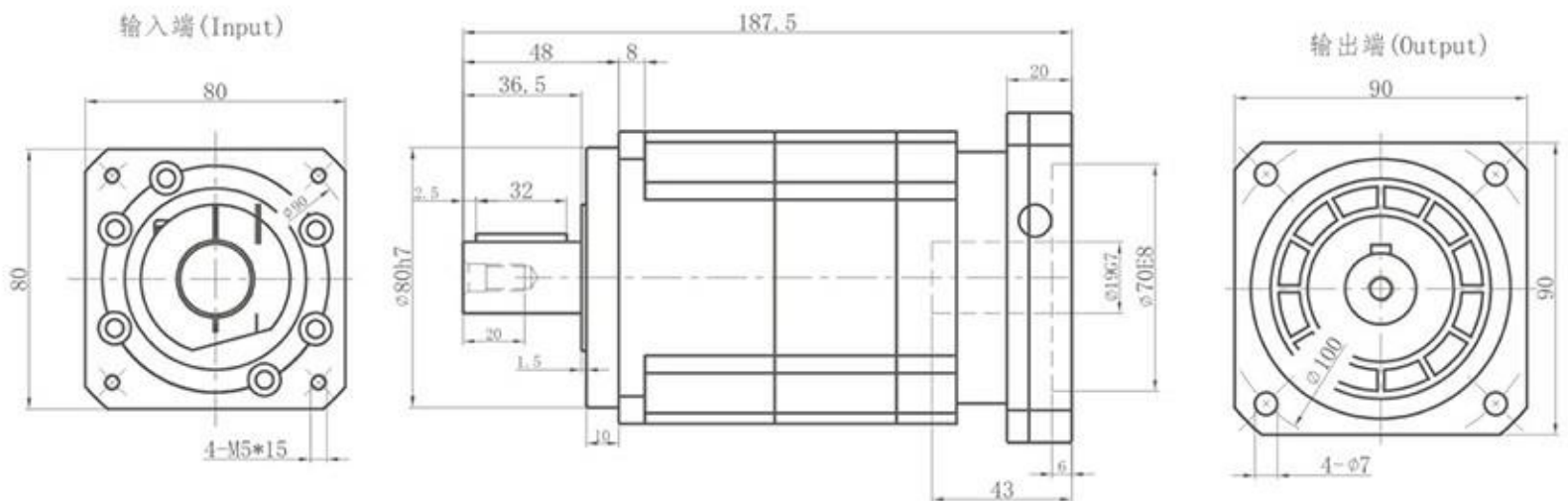
外形尺寸

Dimensions

PB090-L1

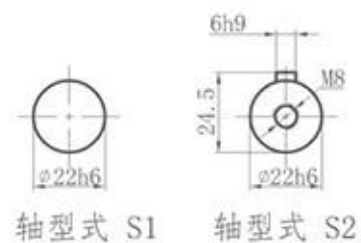


PB090-L2



输出轴径

Output Diameter



性能参数

Performance parameter

		PB042	PB060	PB090							PB115	PB142					PB180				
				L1 单节 One Stage							L2 双节 Two Stage										
速比 Speed	t	l	3	4	5	6	7	8	10	15	20	25	30	35	40	50	60	70	80	100	
额定输出力矩 Rated output torque	T ₁	Nm	130	140	160	150	140	120	100	130	140	160	150	140	120	160	150	140	120	100	
急停扭矩 Emergency Stop Torque	T ₂	Nm	X3							X3											
额定输入转速 Rated Input Speed	S ₁	rpm	4000							4000											
最大输入转速 Maximum Input Speed	S ₂	rpm	8000							8000											
最大输出力矩 Maximum Output Torque	T ₄	Nm	T ₁ * X3 * 60%							T ₁ * X3 * 60%											
最大径向力 Maximum Radial Force	F _a	N	3250							3250											
最大轴向力 Maximum Axial Force	R	N	1625							1625											
扭转刚性 Torsional Rigidity	-	Nm/ arcmin	14							14											
效率 Effectivraiaess	B	%	>97							>94											
寿命 Life		h	20000							20000											
反馈噪音 Feedback Noise		dB	<60							<60											
重量 Weight		Kg	3.6							5.1											
回程间隙 Backlash	P ₀	arcmin	≤ 1							≤ 3											
	P ₁		≤ 3							≤ 5											
	P ₂		≤ 5							≤ 7											
使用温度 Operating Temperature		°C	-10°C-90°C							-10°C-90°C											
润滑 Lubricating			合成油脂 Synthetic Grease							合成油脂 Synthetic Grease											
防护等级 Protection Level			IP65							IP65											
传动惯量 Transmission Inatia	J	kg.cm ²	0.97	0.67	0.65	0.6		0.55	0.17					0.14							
安装方向 Installation Direction			任意方向 Any Direction							任意方向 Any Direction											

备注:

变速比($i=S_{in}/S_{out}$)

结果输出转速100rpm时, 作用于输出轴中心。

连续运转寿命10000h。

噪音值基于输入转速3000rpm, $i=10$ 所得。

Remarks:

Speed ratio ($i=S_{in}/S_{out}$)

When the output speed is 100 rpm, it acts on the center of the output shaft.

For continous operation, the service life is no less than 10,000 hours.

The noise value was measured based on the input rotational speed of 3000 rpm, $i=10$.

此样本中的所有产品型号及参数如有变更恕不另行通告, 订货前请与本司确认。

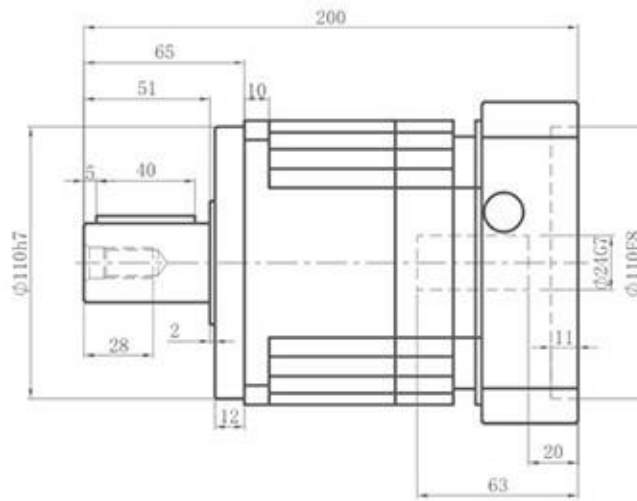
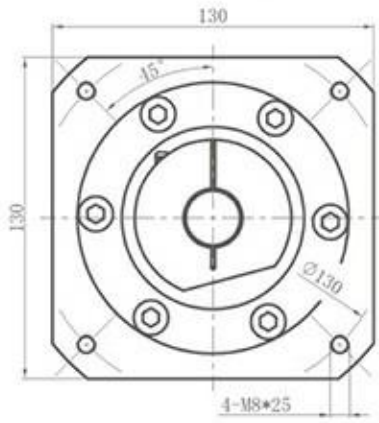
Any product models and parameters in this sample are subject to change without prior notice. Please confirm with the company before ordering.

外形尺寸

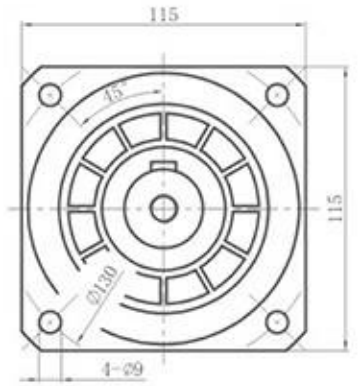
Dimensions

PB115-L1

输入端 (Input)

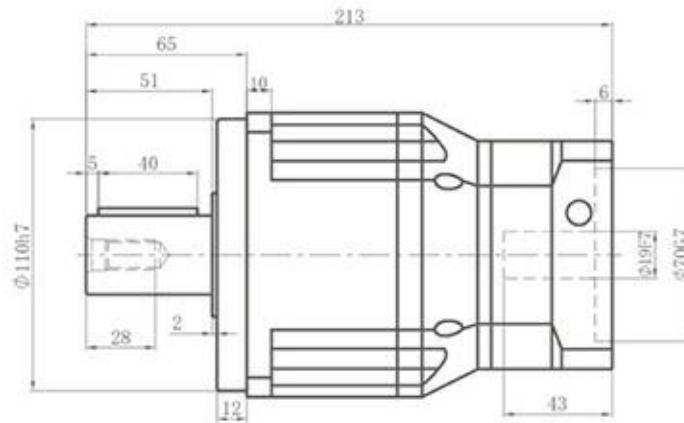
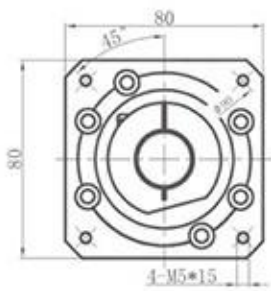


输出端 (Output)

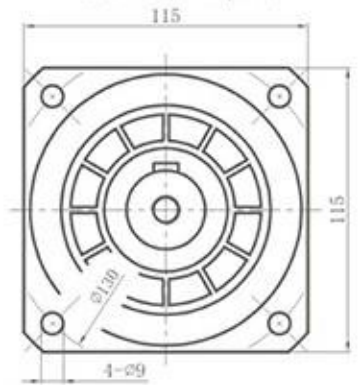


PB115-L2

输入端 (Input)

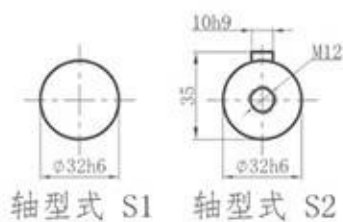


输出端 (Output)



输出轴径

Output Diameter



性能参数

Performance parameter

PB042		PB060		PB090						PB115						PB142		PB180		
		L1 单节 One Stage								L2 双节 Two Stage										
速比 Speed	t	i	3	4	5	6	7	8	10	15	20	25	30	35	40	50	60	70	80	100
额定输出力矩 Rated output torque	T ₁	Nm	208	290	330	310	300	260	230	208	290	330	310	300	260	330	310	300	260	230
急停扭矩 Emergency Stop Torque	T ₂	Nm	X3								X3									
额定输入转速 Rated Input Speed	S ₁	rpm	4000								4000									
最大输入转速 Maximum Input Speed	S ₂	rpm	8000								10000									
最大输出力矩 Maximum Output Torque	T ₄	Nm	T ₁ * X3 * 60%								T ₁ * X3 * 60%									
最大径向力 Maximum Radial Force	F _a	N	6700								6700									
最大轴向力 Maximum Axial Force	R	N	3350								3350									
扭转刚性 Torsional Rigidity	-	Nm/ arcmin	25								25									
效率 Effectivraiss	B	%	>97								>94									
寿命 Life		h	20000								20000									
反馈噪音 Feedback Noise		dB	<63								<63									
重量 Weight		Kg	7.7								9									
回程间隙 Backlash	P ₀	arcmin	≤ 1								≤ 3									
	P ₁		≤ 3								≤ 5									
	P ₂		≤ 5								≤ 7									
使用温度 Operating Temperature		°C	-10°C-90°C								-10°C-90°C									
润滑 Lubricating			合成油脂 Synthetic Grease								合成油脂 Synthetic Grease									
防护等级 Protection Level			IP65								IP65									
传动惯量 Transmission Inatia	J	kg.cm ²	3.25	2.74	2.71	2.65	2.62	2.58	2.57	0.6						0.58				
安装方向 Installation Direction			任意方向 Any Direction								任意方向 Any Direction									

备注:

变速比($i=S_{in}/S_{out}$)

结果输出转速100rpm时, 作用于输出轴中心。

连续运转寿命10000h。

噪音值基于输入转速3000rpm, $i=10$ 所得。

Remarks:

Speed ratio ($i=S_{in}/S_{out}$)

When the output speed is 100 rpm, it acts on the center of the output shaft.

For continous operation, the service life is no less than 10,000 hours.

The noise value was measured based on the input rotational speed of 3000 rpm, $i=10$.

此样本中的所有产品型号及参数如有变更恕不另行通告, 订货前请与本司确认。

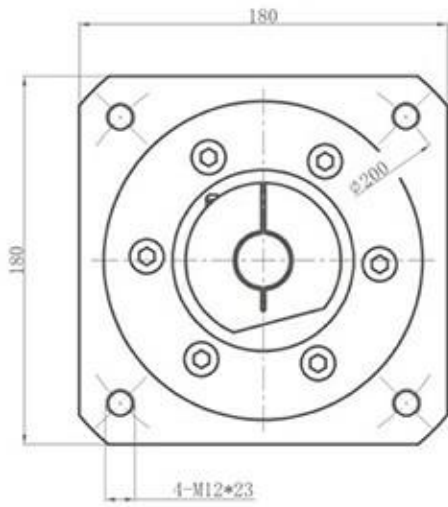
Any product models and parameters in this sample are subject to change without prior notice. Please confirm with the company before ordering.

外形尺寸

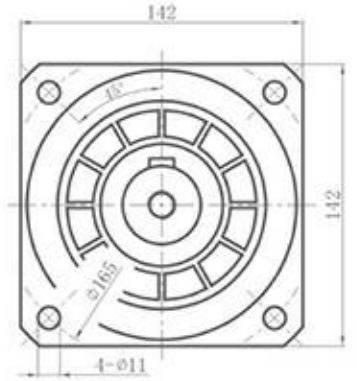
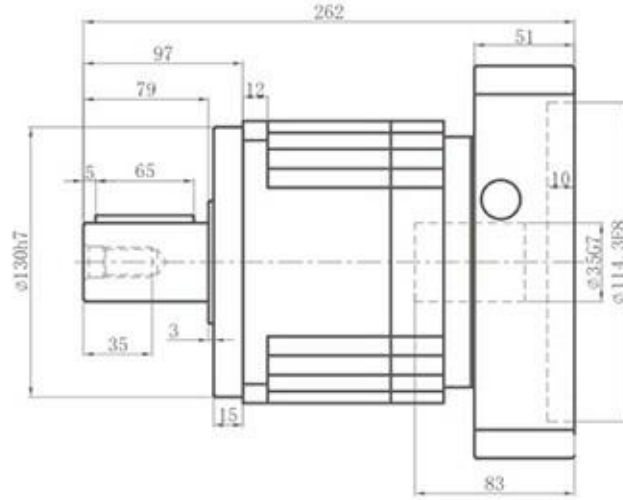
Dimensions

PB142-L1

输入端 (Input)

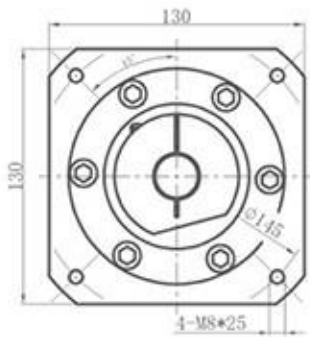


输出端 (Output)

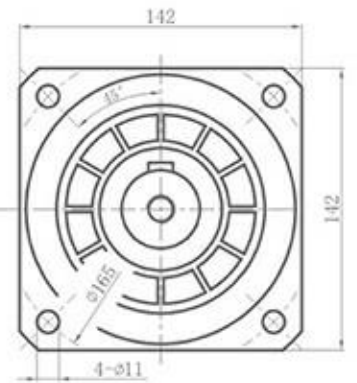
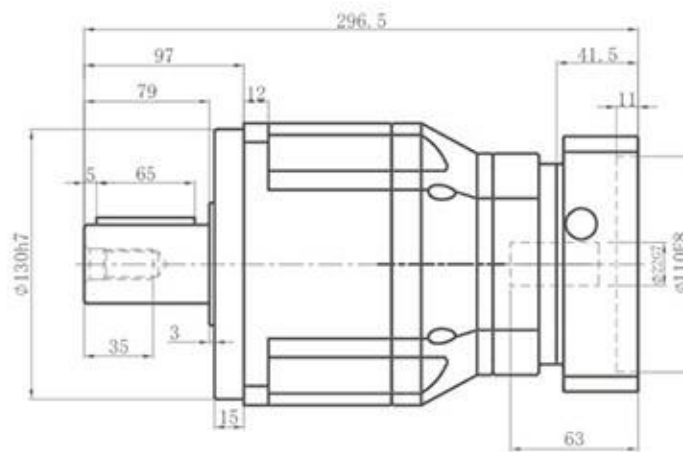


PB142-L2

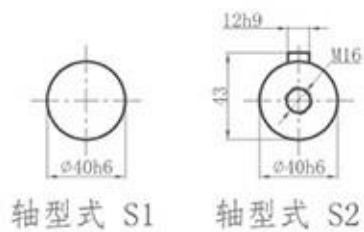
输入端 (Input)



输出端 (Output)



输出轴径
Output Diameter



轴型式 S1

轴型式 S2

性能参数

Performance parameter

PB042

PB060

PB090

PB115

PB142

PB180

			L1 单节 One Stage							L2 双节 Two Stage										
速比 Speed	t	i	3	4	5	6	7	8	10	15	20	25	30	35	40	50	60	70	80	100
额定输出力矩 Rated output torque	T ₁	Nm	342	542	650	600	550	500	370	342	542	650	650	650	650	650	600	550	500	370
急停扭矩 Emergency Stop Torque	T ₂	Nm	X3							X3										
额定输入转速 Rated Input Speed	S ₁	rpm	3000							3000										
最大输入转速 Maximum Input Speed	S ₂	rpm	6000							6000										
最大输出力矩 Maximum Output Torque	T ₄	Nm	T ₁ * X3 * 60%							T ₁ * X3 * 60%										
最大径向力 Maximum Radial Force	F _a	N	9400							9400										
最大轴向力 Maximum Axial Force	R	N	4000							4000										
扭转刚性 Torsional Rigidity	-	Nm/ arcmin	50							50										
效率 Effectivraiss	B	%	>97							>94										
寿命 Life		h	20000							20000										
反馈噪音 Feedback Noise		dB	<65							<65										
重量 Weight		Kg	14.5							17.5										
回程间隙 Backlash	P ₀	arcmin	≤ 1							≤ 3										
	P ₁		≤ 3							≤ 5										
	P ₂		≤ 5							≤ 7										
使用温度 Operating Temperature		°C	-10°C-90°C							-10°C-90°C										
润滑 Lubricating			合成油脂 Synthetic Grease							合成油脂 Synthetic Grease										
防护等级 Protection Level			IP65							IP65										
传动惯量 Transmission Inatia	J	kg.cm ²	9.21	7.54	7.42	7.25	7.14	7.07	7.03	2.71					2.57					
安装方向 Installation Direction			任意方向 Any Direction							任意方向 Any Direction										

备注:

变速比($i=S_{in}/S_{out}$)

结果输出转速100rpm时, 作用于输出轴中心。

连续运转寿命10000h。

噪音值基于输入转速3000rpm, $i=10$ 所得。

Remarks:

Speed ratio ($i=S_{in}/S_{out}$)

When the output speed is 100 rpm, it acts on the center of the output shaft.

For continous operation, the service life is no less than 10,000 hours.

The noise value was measured based on the input rotational speed of 3000 rpm, $i=10$.

此样本中的所有产品型号及参数如有变更恕不另行通告, 订货前请与本司确认。

Any product models and parameters in this sample are subject to change without prior notice. Please confirm with the company before ordering.